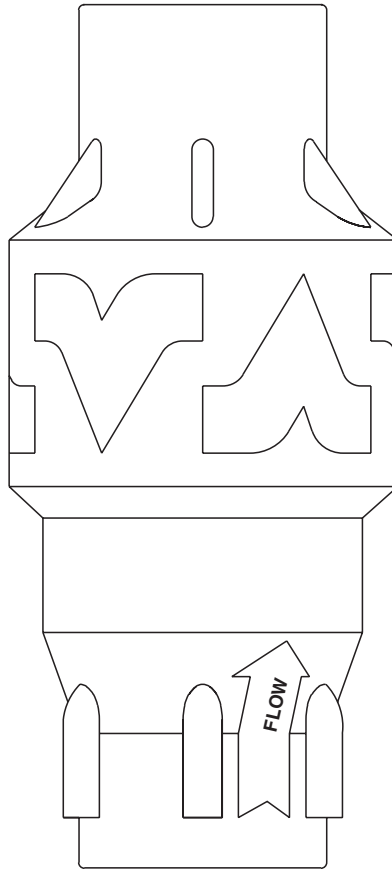


REGULATORS



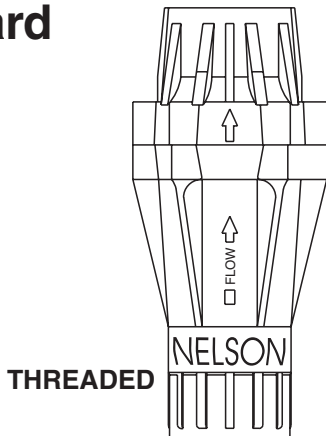
Description	Rev. #	Pg. #
Valley "All Range" Pressure Regulators	08-04	1
Nelson Blue Pressure Regulators	03-04	2
Senninger Pressure Regulators	05-09	3



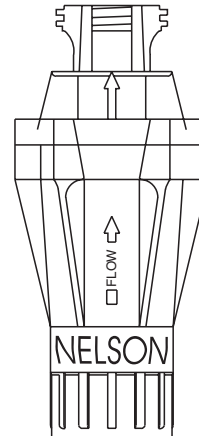
VALLEY "ALL RANGE" PRESSURE REGULATORS

PSI	FLOW (GPM)	INLET SIZE	OUTLET SIZE	VALLEY PART #
6	.5-15	3/4 FEMALE NPT	3/4 FEMALE NPT	0227206
10	.5-15	3/4 FEMALE NPT	3/4 FEMALE NPT	0227210
12	.5-15	3/4 FEMALE NPT	3/4 FEMALE NPT	0227212
15	.5-15	3/4 FEMALE NPT	3/4 FEMALE NPT	0227215
20	.5-15	3/4 FEMALE NPT	3/4 FEMALE NPT	0227220
25	.5-15	3/4 FEMALE NPT	3/4 FEMALE NPT	0227225
30	.5-15	3/4 FEMALE NPT	3/4 FEMALE NPT	0227230

**Standard
Duty**



THREADED



**INTEGRAL
SQUIRE THREAD**
(For use only with Nelson
3000 Series Sprinklers)

NELSON BLUE TOP PRESSURE REGULATORS

GREY LOWER BODY = LOW FLOW

BLACK LOWER BODY = HIGH FLOW

PSI	FLOW (GPM)	INLET SIZE	OUTLET SIZE	VALLEY PART #
6	LOW (.5-8)	3/4 FEMALE NPT	3/4 FEMALE NPT	0231084
10	LOW (.5-10)	3/4 FEMALE NPT	3/4 FEMALE NPT	0231085
15	LOW (.5-12)	3/4 FEMALE NPT	3/4 FEMALE NPT	0231086
20	LOW (.5-12)	3/4 FEMALE NPT	3/4 FEMALE NPT	0231087
25	LOW (.5-12)	3/4 FEMALE NPT	3/4 FEMALE NPT	0231088
30	LOW (.5-12)	3/4 FEMALE NPT	3/4 FEMALE NPT	0231089
6	HIGH (4-16)	3/4 FEMALE NPT	3/4 FEMALE NPT	0231083
10	HIGH (4-16)	3/4 FEMALE NPT	3/4 FEMALE NPT	0231061
15	HIGH (2-20)	3/4 FEMALE NPT	3/4 FEMALE NPT	0231062
20	HIGH (2-20)	3/4 FEMALE NPT	3/4 FEMALE NPT	0231063
25	HIGH (2-20)	3/4 FEMALE NPT	3/4 FEMALE NPT	0231064
30	HIGH (2-20)	3/4 FEMALE NPT	3/4 FEMALE NPT	0231065
6	LOW (.5-8)	3/4 FEMALE NPT	3/4 MALE SQUARE THREAD	0231074
10	LOW (.5-10)	3/4 FEMALE NPT	3/4 MALE SQUARE THREAD	0231075
15	LOW (.5-12)	3/4 FEMALE NPT	3/4 MALE SQUARE THREAD	0231104
20	LOW (.5-12)	3/4 FEMALE NPT	3/4 MALE SQUARE THREAD	0231076
25	LOW (.5-12)	3/4 FEMALE NPT	3/4 MALE SQUARE THREAD	0231077
30	LOW (.5-12)	3/4 FEMALE NPT	3/4 MALE SQUARE THREAD	0231078
6	HIGH (4-16)	3/4 FEMALE NPT	3/4 MALE SQUARE THREAD	0231096
10	HIGH (4-16)	3/4 FEMALE NPT	3/4 MALE SQUARE THREAD	0231097
15	HIGH (2-20)	3/4 FEMALE NPT	3/4 MALE SQUARE THREAD	0231105
20	HIGH (2-20)	3/4 FEMALE NPT	3/4 MALE SQUARE THREAD	0231098
25	HIGH (2-20)	3/4 FEMALE NPT	3/4 MALE SQUARE THREAD	0231099
30	HIGH (2-20)	3/4 FEMALE NPT	3/4 MALE SQUARE THREAD	0231100



SENNINGER PRESSURE REGULATORS

PSI	FLOW (GPM)	INLET SIZE	OUTLET SIZE	PART #
6	LOW (.5-5)	3/4 FEMALE NPT	3/4 FEMALE NPT	0217106
10	LOW (.5-5)	3/4 FEMALE NPT	3/4 FEMALE NPT	0217110
15	LOW (.1-8)	3/4 FEMALE NPT	3/4 FEMALE NPT	0217115
20	LOW (.1-8)	3/4 FEMALE NPT	3/4 FEMALE NPT	0217120
25	LOW (.1-8)	3/4 FEMALE NPT	3/4 FEMALE NPT	0217125
6	MED (4-16)	3/4 FEMALE NPT	3/4 FEMALE NPT	0227106
10	MED (4-16)	3/4 FEMALE NPT	3/4 FEMALE NPT	0227110
15	MED (2-20)	3/4 FEMALE NPT	3/4 FEMALE NPT	0227115
20	MED (2-20)	3/4 FEMALE NPT	3/4 FEMALE NPT	0227120
25	MED (2-20)	3/4 FEMALE NPT	3/4 FEMALE NPT	0227125
30	MED (2-20)	3/4 FEMALE NPT	3/4 FEMALE NPT	0227130
40	MED (2-20)	3/4 FEMALE NPT	3/4 FEMALE NPT	0227140
50	MED (2-20)	3/4 FEMALE NPT	3/4 FEMALE NPT	0227150
20	HIGH (10-32)	1 1/4 FEMALE NPT	1 FEMALE NPT	0231035
25	HIGH (10-32)	1 1/4 FEMALE NPT	1 FEMALE NPT	0231025
30	HIGH (10-32)	1 1/4 FEMALE NPT	1 FEMALE NPT	0231058
40	HIGH (10-32)	1 1/4 FEMALE NPT	1 FEMALE NPT	0231034
50	HIGH (10-32)	1 1/4 FEMALE NPT	1 FEMALE NPT	0231059

